

 OAKCASTLE

HIFI500

USER MANUAL

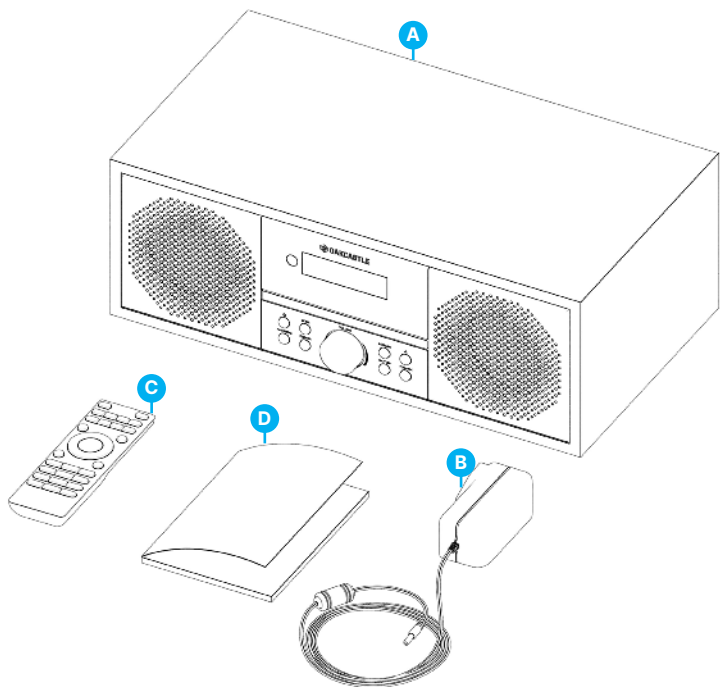
What's In the Box?.....	3
Controls And Functions.....	4
Instructions Guide.....	7
Basic Operations.....	7
FM Radio.....	8
CD Playback Mode.....	10
Bluetooth Mode	12
USB Playback Mode.....	13
AUX In Mode & Headphones.....	14
Troubleshooting.....	15
Product Specifications.....	16
Warranty.....	16
Safety Information.....	17

3 year
Warranty

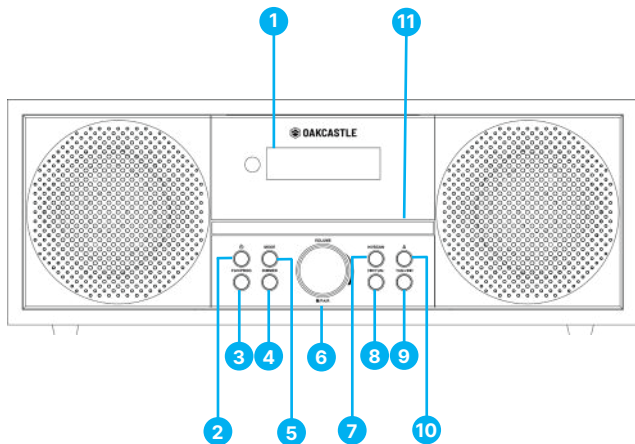
Register your product online for a FREE 3 year
extended warranty at: www.oakcastle.co.uk

What's in the Box?

- A. The Oakcastle HIFI500
- B. Power Adaptor
- C. Remote Control
- D. User Manual

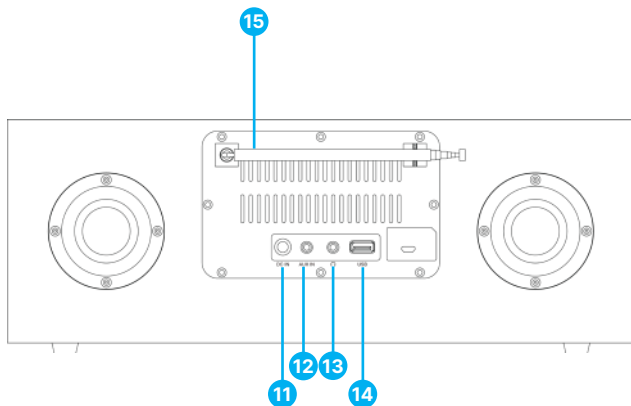


The Front View



- | | | | |
|----|---------------------|-----|----------------------|
| 1. | LCD Display | 7. | Play/Pause/Scan |
| 2. | Power/Standby | 8. | Previous/Tune- |
| 3. | FAV/PROG | 9. | Next/Tune+ |
| 4. | Dimmer | 10. | CD Open/Close button |
| 5. | Mode | 11. | CD Compartment |
| 6. | Vol-/Vol+/Stop/Pair | | |

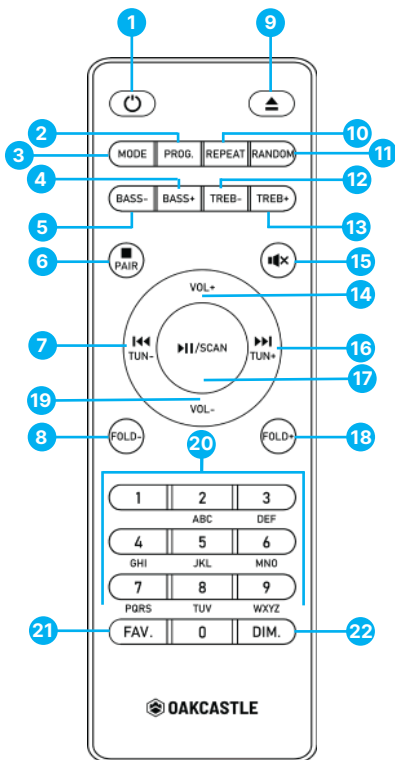
The Back View



11. DC IN
12. AUX In port
13. Headphone Jack
14. USB Playback Port
15. Radio Telescopic Antenna

Remote Control

1. Standby / ON
2. PROG
3. MODE
4. Bass+
5. Bass-
6. Stop/Pair
7. Previous/Tune-
8. Fold-
9. CD Open/Close
10. Repeat
11. Random
12. Treble-
13. Treble+
14. Vol+
15. Mute
16. Next/Tune+
17. Play/Pause/Scan
18. Fold+
19. Vol-
20. Numeric Keypad
21. FAV
22. DIM (Dimmer)



**Please note that the instructions within this manual will refer to the remote button number e.g. (Rem*number*) or the buttons on the unit e.g. (Ref* number*) in accordance with the diagrams on pages 4-6.*

Important Information

Before connecting the Oakcastle HIFI500 to the mains, ensure that the VOLTAGE mentioned on the power supply is same as the voltage of your local area.

Use the supplied mains adaptor to connect the device to a household mains socket.

Basic Operations / Product Set-Up

Remove all packaging and prepare the Oakcastle HIFI500 for use.

Extend the radio telescopic antenna in full **(Ref.15)**. Insert the power cable into the DC IN jack port **(Ref.11)** on the unit, and the other end plug to mains socket then power the Oakcastle HIFI500 On.

Press the 'MODE' button on the unit **(Ref.5)** or remote control **(Rem.3)** to switch modes: FM, BT, CD, USB Playback or AUX IN Mode.

Press the 'Power/Standby' button on the unit **(Ref.2)** or on the remote control **(Rem.1)** to set the unit's mode as 'ON' or in 'Standby' Mode.

Press the 'Dimmer' button **(Ref.4)** on the unit, or on the remote control **(Rem.22)** repeatedly to change the LCD display backlight to 'High-Low-Turn off' level.

Press the 'BASS-/+' or 'TREB-/+' on remote control as per your preferences.

FM Radio

Position the Oakcastle HIFI500 where you have good FM Radio signal. Ensure the radio telescopic antenna is extended in full before starting to scan for available radio stations at your location.

Press the 'Mode' button on the unit (**Ref.5**) or the remote control (**Rem.3**) repeatedly to change the mode to FM Mode. The LCD screen will display 'FM'.

FM Radio- Automatic Scan

Press the 'Play/Pause/Scan' button on the unit (**Ref.7**) or the one on the remote control (**Rem.17**) to process an automatic full scan. The radio will scan the entire FM frequency band and will find and store the FM radio stations with strong radio signal available at your location. Once the scan has been completed the radio will start playing the first radio station found. Use the 'PREVIOUS' and 'NEXT' buttons on the unit or on the remote control to navigate through the stations found.

After processing the automatic scan to view/recall the entire list of radio stations stored on the unit press the 'FAV/PROG' button on the unit (**Ref.3**), or press the 'FAV' button on the remote control (**Rem.21**).

FM Radio- Manual Scan

While in FM Mode, press the 'PREVIOUS' or the 'NEXT' buttons on the unit or on the remote control to manually scan for radio stations with 0.1MHz for each button press.

FM Radio Stations- Presets

The Oakcastle HIFI500 has up to 30 presets on which you can save your favourite FM radio stations for quick access.

Storing Presets

While playing a radio station, press and hold the 'FAV/PROG' button for 2-3 seconds on the unit **(Ref.3)** or the 'FAV' button on the remote control **(Rem.21)** to open the 'Presets Store' list. Use the 'PREVIOUS' and 'NEXT' buttons to search for an empty space, and then press the 'FAV/PROG' button on the unit **(Ref.3)**, or the 'FAV' button on the remote control **(Rem.21)** to confirm and store your station.

Please Note: To remove/replace an existing preset radio station, simply save another radio station on that preset space.

Recalling Presets

Press the 'FAV/PROG' button on the unit **(Ref.3)** or the 'FAV' button on the remote control **(Rem.21)** to enter the Recall Presets list. Use the 'PREVIOUS' or 'NEXT' buttons on the remote control to navigate through the list and select the preset station. The HIFI500 will then automatically start playing the radio station selected.

*Please Note: When recalling a preset, do not press and hold the 'FAV/PROG' on the unit **(Ref.3)** or the 'FAV' button on the remote control **(Rem.21)** as you will then enter the Store Presets list instead of the Recall presets list.*

CD Player Mode Basic Operation.

Press the 'Mode' button on the unit (**Ref.5**) or on the remote control (**Rem.3**) repeatedly to enter CD Mode. The Oakcastle HIFI500 will read 'CD_ _' on its display for 2 seconds, and then will display 'NO'.

Press the CD Open/Close button on the unit (**Ref.10**), or on the remote control (**Rem.9**) to open the CD tray. Once opened, gently place the CD facing label up on the CD tray, then press again the CD Open/Close button to close the tray. The first audio track 'F01' on CD, will now start playing.

The CD supported formats are CD/MP3/WMA/CDDA.

CD Player Controls & Functions:

- Press the 'PREVIOUS' or 'NEXT' buttons on the unit (**Ref.8 or Ref.9**) or on the remote control (**Rem.7 or Rem.16**) to skip and play the next or the previous CD audio track currently playing.
- To skip rewind/forward through a song playing, press and hold the 'PREVIOUS' (**Ref.8**) button or 'NEXT' (**Ref.9**) button on the unit or on remote control for 2-3 seconds and release when you wish to stop.
- Press the 'PLAY/PAUSE' button on the unit or on the remote control (**Rem.17**) to play or pause a song currently playing.
- Press the 'CD Open/Close' button on the unit (**Ref.10**), or the one on the remote control (**Rem.9**) to eject a CD.
- Press 'VOL-/VOL+/STOP/PAIR' (**Ref.6**) button on main unit or on the remote control to stop the album. This will also display how many songs are on the album and total playing time. Press 'PLAY/PAUSE/SCAN' button (**Ref.7**) on the main unit or on the remote control to start playing again.
- Press the 'STOP/PAIR' button on the remote control (**Rem.6**) to stop playing from your CD. Press the 'PLAY/PAUSE/SCAN' button to resume playing.
- Press the 'REPEAT' button on the remote control (**Rem.10**) to repeat, the entire CD. Press again to switch 'Repeat' as OFF.
- Press the 'RANDOM' button on the remote control (**Rem.11**) to shuffle all songs.

Programming a CD

Use this feature to programme playing audio tracks from a CD in your desired order.

- To programme a CD currently playing, press the 'STOP' button on the unit (**Ref.6**) or the remote control (**Rem.6**) to stop playing.
- Press the 'FAV/PROG' button on the unit (**Ref.3**) or the 'PROG' button on the remote control (**Rem.2**) to enter in CD programming mode.
- Once entered, the LCD screen you read '001' indicating the first song on CD as P01. Using the 'PREVIOUS' and 'NEXT' buttons you can choose a song from the CD audio tracks which you would like to programme and save on position one P01. Once you will find the audio track which you want to save on P01 position, press the 'FAV/PROG' button on the unit (**Ref.3**) or the 'PROG' button on the remote control (**Rem.2**) to save and confirm. You will then be taken to the next position.
- Once saved, the LCD screen will read 'P02', indicating the second position for programming the next song. Follow the same steps as previously detailed for P01 position to save your next song on the P02 position. There are 20 programming slots available from P01-P20 which you can use to arrange in the order you would like to play.
- When the programmed list has been completed, press the 'PLAY/PAUSE/SCAN' button on the unit (**Ref.7**) or the remote control (**Rem.17**) to exit the programme playback and start playing your CD in the programmed order.
- Whilst the programme playback mode is activated, press the 'FAV/PROG' button on the unit (**Ref.3**) to exit this mode.

Bluetooth

The Oakcastle HIFI500 can be paired via Bluetooth with a phone or tablet to play audio from via its speakers.

Press the 'MODE' button on the unit (**Ref.5**) or the remote control (**Rem.3**) repeatedly to change the mode into Bluetooth.

The Oakcastle HIFI500 will display 'BT' on the LCD screen.

Ensure the Bluetooth on your device is activated and ready to pair.

Search on your devices list for 'Oakcastle HIFI500 CD Music System' to pair and connect.

Whilst playing audio from your device via the Oakcastle HIFI500 you can use the following controls & functions on the unit/remote control:

- Press the 'PREVIOUS' and 'NEXT' buttons to skip to the next or previous audio track.
- Press the 'PLAY/PAUSE/SCAN' button on the remote control (**Rem.17**) to play or pause audio.
- Press the 'VOL+/VOL-/STOP/PAIR' button (**Ref.6**) on the unit to stop the audio, and then press again to reconnect via Bluetooth. Alternatively, use the 'STOP/PAIR' button on the remote control (**Rem.6**).
- Press the 'PLAY/PAUSE/SCAN' button (**Ref.7**) to resume playing audio from your device.
- Press the 'STOP/PAIR' button (**Rem.6**) on the remote control to disconnect the Bluetooth. Press the 'STOP/PAIR' button again to re-connect.
- Control the volume level from your device if required.

Please note: The Oakcastle HIFI500 cannot be paired with Bluetooth earphones, earbuds or headphones.

USB Playback

The Oakcastle HIFI500 can play audio from an USB stick of up to 128 GB in MP3 or WMA audio formats.

Press the 'MODE' button on the unit (**Ref.5**), or the remote control (**Rem.3**) repeatedly to enter USB Mode. The Oakcastle HIFI500 will display 'USB' on the LCD screen.

Insert the USB stick into the USB port on the unit (**Ref.14**). The Oakcastle HIFI500 will automatically start playing audio from the USB.

While playing audio from the USB stick you can use the following controls & functions on the unit/remote control:

- Press the 'PREVIOUS' and 'NEXT' buttons to skip to the next or the previous audio track.
- Press the 'PLAY/PAUSE/SCAN' button to play or pause audio.
- Press the 'FOLD -' and the 'FOLD +' buttons on the remote control (**Rem.8 and Rem.18**) to select a folder on the USB stick. The folder number will be displayed such as 'F01', 'F02' & 'F03'. For example, if you have two folders on the stick, the Oakcastle HIFI500 will show them as 'F01' and 'F02'. Choose the one you would like to play. Once completed the next folder will automatically start playing.
- Press the 'STOP/PAIR' button on the remote control (**Rem.6**) to stop playing from your USB stick. Press the 'PLAY/PAUSE/SCAN' button to resume playing.

Please note: The Oakcastle HIFI500 USB port is just for playback and cannot be used as a connection port with other devices, for charging or for data transfer from a PC.

Using AUX (Line Input)

The Oakcastle HIFI500-AUX Input port is to be used to connect with other devices such as a phone, an MP3 player or a tablet to play audio from it via its speakers.

Before connecting your device with the Oakcastle HIFI500, ensure the volume on the unit and on your device is set to a low level.

Connect the external audio source using an audio cable of 3.5mm (not included) into the AUX-IN port on the unit **(Ref.12)**.

Press the 'MODE' button on the unit **(Ref.5)**, or on the remote control **(Rem.3)** repeatedly to change the mode into AUX-In. The Oakcastle HIFI500 will display 'AUX' on the LCD screen.

Once connected, start playing audio from your device through the Oakcastle HIFI500.

Please Note: While playing audio from your device in AUX Mode via the Oakcastle HIFI500 you must use your own device controls to Play/Pause/Stop or skip tracks, however the volume level can be adjusted from your device and on the Oakcastle HIFI500.

Using Headphones

Enjoy private listening by using wired headphones with a 3.5mm jack port (not included). Connect your headphones with the Oakcastle HIFI500 using the headphone jack on the radio **(Ref.13)**.

Once connected the audio sound will only be heard via headphones.

Observation	Potential Cause/Solution
No power/function	<p>Switch off the unit, disconnect all cables and leave the unit for 10 minutes. Insert all cables and plug the unit on.</p> <p>Ensure all cables are properly inserted and power the unit on.</p>
No sound	<p>Check if the unit is set to MUTE. Check the volume, and increase. Check if the cables are properly inserted.</p> <p>If there is no sound while using wired headphones, disconnect and reconnect again. Check volume level on headphones if you have this feature.</p>
CD is not playing	<p>Check if the CD is properly inserted. Make sure the CD inserted is not damaged or has any scratches on it. Using a dry cloth, clean the CD before inserting it in its compartment.</p>
Bluetooth not connecting	<p>Ensure the unit is not connected with other devices. Remove the Oakcastle HIFI500 from your devices list and pair again.</p>

Support

If you require further assistance with your new Oakcastle HIFI500, please contact our support team on the Oakcastle website: www.oakcastle.co.uk/support.

Product Specification

Power Supply	Output: DC12.0V 2.0A Input: AC100-240V, 50/60Hz 1.0A Max
Frequency Range	FM 87.5-108MHz BT 2402-2480 MHz
Bluetooth Version	5.2
USB Playback	Compatible with USB stick if up to 128 GB
USB audio formats	MP3, WMA
CD Supported formats	CD/MP3/WMA/CDDA.
No-load power consumption	0.06W
Average active efficiency	88.39%
Dimensions	L38 x W21 x H19.5 cm

Warranty

All products come with a standard 12-month warranty. All items must be registered within 30 days of purchase on www.oakcastle.co.uk for the warranty to be valid. Once on our website, use the menu to find 'Register Your Product'. You will also be given the chance to extend your warranty for an additional 24 months, free of charge.

1. Read these instructions.
2. Keep these instructions. Instructions are also available for download at www.majority.co.uk.
3. Heed all warnings.
4. Follow all instructions.
5. Do not clean the apparatus near or with water.
6. Do not block any ventilation openings. Install in accordance with the manufacturer's instructions.
7. Do not block any ventilation openings. Install in accordance with the manufacturer's instructions.
8. Do not install near any heat sources such as radiators, heat registers, stoves, or other apparatus that produce heat.
9. Protect the power from being walked on or pinched particularly at plugs, convenience receptacles, and the point where they exit from the apparatus.
10. Only use accessories specified by the manufacturer.
11. Unplug this apparatus during light storms or when unused for long periods of time.
12. Refer all servicing to qualified service personnel.
13. No naked flame sources, such as a lit candle should be placed on the apparatus.
14. Dispose of used electrical products and batteries safely according to your local authority and regulations.

ADDITIONAL WARNINGS

The apparatus shall not be exposed to dripping, splashing or objects filled with water.

The main plug is used to disconnect the device. In order to disconnect the apparatus from the main mains completely, the mains plug should be disconnected from the main socket outlet completely.

Battery shall not be exposed to excessive heat.

RECYCLING ELECTRICAL PRODUCTS

You should now recycle your waste electrical goods and in doing so help the environment.



This symbol means an electrical product should not be disposed of with normal household waste. Please ensure it is taken to a suitable facility for disposal when finished.

IMPORTANT: Please read all instructions carefully before use and keep for future reference.



Risk of electric shock. Do not open.



Read all instructions carefully before use and keep for future reference.



When servicing, use only identical replacement parts.



ATTENTION

RISK OF ELECTRIC SHOCK DO NOT OPEN



CAUTION

RISQUE D'ELECTROCUTION NE PAS OUVRIR



IMPORTANT: Please read all instructions carefully before use and keep for future reference

I hereby declare that the product:

Product Name: Majority HIFI500

Model: 1000002973

Brand Name: Oakcastle

Satisfies all the technical regulations applicable to the product within the scope of Council Directives 2014/35/EU and 2014/30/EU, 2009/125/EC, 2012/19/EU, 2014/53/EU, 2011/65/EU, 1907/2006.

2014/35/EU (LVD Directive)

EN62368-1:2014+A11:2017

2014/30/EU (EMC Directive)

EN55032:2015+A11:2020, Class B, EN IEC 61000-3-2: 2019, EN61000-3-3: 2013+A1:2019, EN55035: 2017, EN 301 489-1 V2.2.3 (2019-11), EN 301 489-17 V3.2.2 (2019-12)

2009/125/EC (ERP Directive)

EN50564: 2011, EN62311: 2008

2012/19/EU (WEEE Directive)

2014/53/EU (RED Directive)

EN55032:2015+A11:2020, Class B, EN IEC 61000-3-2: 2019, EN61000-3-3: 2013+A1:2019, EN55035: 2017, EN 301 489-1 V2.2.3 (2019-11), EN 301 489-17 V3.2.2 (2019-12), EN 303 345-1 V1.1.1 (2019-06), EN 303 345-3 V1.1.0 (2019-11), EN 303 345-4 V1.1.0 (2019-11), ETSI EN 300 328 V2.2.2 (2019-07), EN62368-1:2014+A11:2017, EN 62479: 2010, EN 50663:2017

2011/65/EU & 2015/863/EU (RoHS Directive)

1907/2006 (REACH Directive)

All essential test suites have been carried out.

This declaration is issued under the sole responsibility of iZilla Ltd.

Point of Contact: Eddie Latham | Founder

Signed: 

Date: Nov 2023

UK: iZilla Ltd, 49 Viking Way, Cambridge, CB23 8EL, UK

EU RP: AR Experts, P.O. Box 5047, 3620 AA Breukelen, The Netherlands

US: iZilla Ltd, C/O A.N. Deringer, Inc., 19520 Wilmington Ave, Rancho Dominguez, CA, 90220

Oakcastle is owned and operated by iZilla Ltd. Registered in England with Company No: 08520738





WWW.OAKCASTLE.CO.UK