



 OAKCASTLE

DAB·400

USER MANUAL

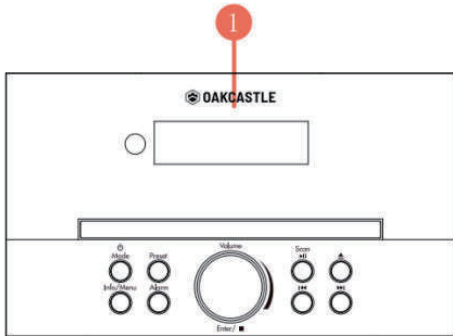
Contents.....	2
Box Contents.....	3
Controls & Functions.....	4
Basic Operations.....	6
Playing CD's.....	7
Bluetooth.....	9
DAB Radio	10
FM Radio	13
AUX IN	15
Troubleshooting.....	20
Spec & Warranty.....	21
Safety Information.....	22

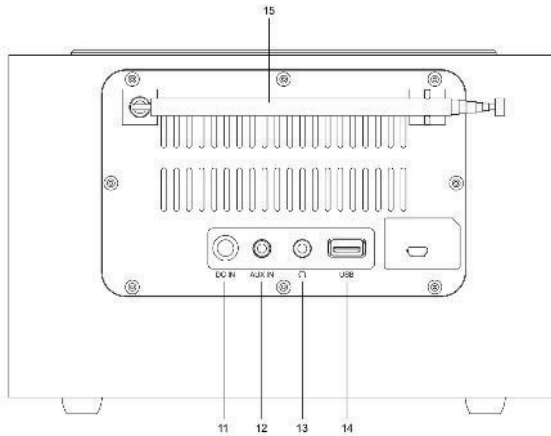
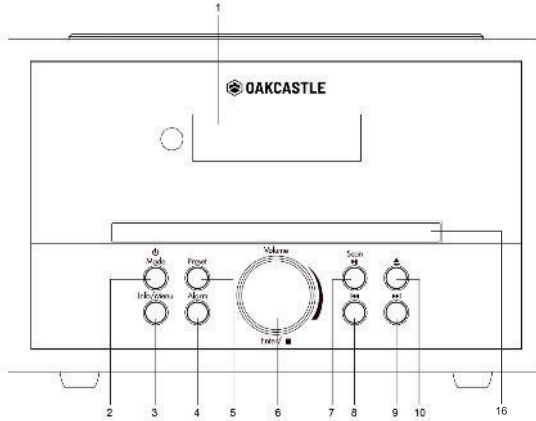
3 | **YEAR**
WARRANTY

Register your product online for a **FREE** 3 year
extended warranty at: www.oakcastle.co.uk

WHAT'S IN THE BOX

1. Oakcastle DAB400 Music System Player
2. UK Power Adapter
3. Instructions Guide





- | | |
|--------------------|------------------------|
| 1. Display screen | 8. Previous/Rewind |
| 2. Power/Mode | 9. Next/Fast forward |
| 3. Info/Menu | 10. Eject |
| 4. Alarm | 11. DC IN |
| 5. Preset | 12. AUX IN |
| 6. Vol/Enter/Stop | 13. Headphone port |
| 7. Scan/Play/Pause | 14. USB playback port |
| | 15. Telescopic Antenna |
| | 16. CD tray |



- | | |
|-------------|-------------------------------|
| 1. POWER | 12. FAST FORWARD |
| 2. ALARM | 13. DIMMER |
| 3. EQ | 14. UP |
| 4. STOP | 15. MENU |
| 5. REWIND | 16. NEXT |
| 6. MODE | 17. OK/PLAY/PAUSE |
| 7. PREVIOUS | 18. VOL+ |
| 8. VOL- | 19. DOWN |
| 9. EJECT | 20. INPUT LETTERS AND NUMBERS |
| 10. SLEEP | 21. FAV |
| 11. PROG | 22. MUTE |

Power on/off

To power on(working mode), press the Power/Mode (**Ref.2**).

To power off (standby mode), press and hold the Power/Mode (**Ref.2**).

Mode

In working mode, press the Power/Mode (**Ref.2**) multiple times to select Aux In, DAB, FM, Bluetooth, CD and USB mode.

*Please note that the instructions within this manual will refer to the remote button number e.g (Rem*number*) or radio buttons e.g (Ref* number*) in accordance with the diagrams on pages 4-5.

Inserting / Playing CD's

- Press 'Power/Mode' button (Ref.2) multiple times to change into CD mode.
- Press 'Eject' button (Ref.10) to open the CD player tray. Insert the disc into, pressing gently to fit into its space.
- Push gently the CD tray making sure is completely closed, otherwise the CD will not be read.
- Press 'Play' button remote to start playing your CD, Compatible disc formats are: CD, CDR, HDCD, MP3

Headphones or External Speakers

Listen to your audio CD through headphones by inserting wired headphones (with a standard 3.5mm connector) into the headphone socket of the player (Ref.13). Ensure that the headphone connector is fully inserted into the device.

To listen to your audio CD through external speakers, connect a standard 3.5mm AUX cable from the CD player to your external speakers or output device. Control the playback using the controls on the CD player. You will now be able to hear audio through your external speakers or other output device.

Basic Controls and Functions

Press 'Scan/Play/Pause' (**Ref.7**) to play or pause the CD.

Press Previous or Next (**Ref.8**)/(**Ref.9**) to skip to the previous or next track. Press and hold (**Ref.8**)/(**Ref.9**) to rewind or fast forward through a track.

Press 'Vol/Enter/Stop' (**Ref.6**) to stop the CD.

Other CD functions

Press and hold 'Info/Menu' (Ref.3), press 'Vol/Enter/Stop' (Ref 6) to confirm. By rotating 'Vol/Enter/Stop' (Ref 6) you can switch to the following playback modes between:

- Repeat One- repeat one track
- Repeat Folder- repeat all tracks on a folder
- Repeat All- repeat all tracks
- Repeat OFF
- Shuffle- play tracks in random order

Programing CD:

- Press 'Stop' on remote control to stop playing the CD, then press 'PROG' (Rem.11) to begin programing your disc to play in selected order.
- Press 'Previous' or 'Next'(Rem.16) to select your desired track you wish to start with such as e.g T01
- Press 'Prog' on remote control again to confirm your selection. Now, track 1 (T01) has been programmed to start with in position 1 (P01).

Follow the same steps to program your next track until maximum up to 20 (P20), which is the maximum number of tracks that you can program.

- Press 'OK' (Rem.17) to start playing your list
- Press 'Stop' (Rem.4), then press 'OK' (Rem.17) to quit playing programmed tracks.

Press 'Stop' (**Rem.4**) on remote control, press 'OK' (**Rem.17**) on remote control to quit playing the programmed tracks.

Sound Settings

Press the EQ button (**Rem.3**) on remote control to switch the sound mode between Normal, Classic, Jazz, Pop, Rock, Speech and My EQ...

Connecting to Bluetooth

Select 'Bluetooth' on the main display screen by pressing 'Power/Mode' (Ref.2).

Go to your device settings to connect your device to the radio via Bluetooth. DAB400 Radio will display as 'Oakcastle DAB400'. Select the radio to connect with your device. Once connected you will hear a short sound. Play your chosen audio on your device. Control playing audio from your device, rather than the radio's navigation buttons.

DAB/DAB+Radio

Press the 'Power/Mode' button on the unit (Ref.2) or on the remote (Rem.6) repeatedly to scroll through to DAB/DAB+ mode. Ensure that the antenna is screwed on and connected to the DAB/FM antenna port at the back of the system, and then fully extended. When on the 'DAB/DAB+ Radio' mode for the first time, the system will begin scanning for available stations and show "Scanning..." on the screen. Once stations have been scanned, these will be displayed as a list. If you wish to rescan for available stations, press and hold the 'Info/Menu' button on the unit (Ref.3) or on the remote (Rem.15), followed by selecting the "Full scan" option. The radio will now begin scanning for DAB stations. It will display how many stations have been found as the search continues. Once all of the available stations have been found, a list will show. To scroll through the available stations, use the 'Vol/Enter/Stop' navigate on the unit (Ref.6) or the 'Previous/Next' buttons on the remote control (Rem.7/16) and scroll through until the chosen station is highlighted. Select the station you wish to listen to by pressing down the dial (Ref.6) or the OK button (Ref.17) when you have selected a station, the screen will display the station and begin to play. To choose the previous or next station, go back to the list and use the Vol/Enter/Stop or the remote navigation buttons to scroll accordingly.

DAB/DAB+ Preset Stations

Presetting a Radio Station when you have found your desired station, hold down the Memory button on the unit (Ref.5) or the 'FAV' button on the remote (Rem.21) for 2-3 seconds to go to the 'Save to Preset' screen. Alternatively, if you want to save to preset number 1-99, press and hold the corresponding number on the remote control for 2-3 seconds. With the Vol/Enter/Stop dial (Ref.6) or the remote, scroll through the available preset numbers you can save the station to - ones that have not got a station saved to them will display "[Not Set]". Once the preset number has been located that you wish to save to, confirm your choice by pressing down the dial or the OK button on the remote (Rem.17). Once a station has been saved, the screen will display "Preset Stored" to show that it has been stored successfully. Recalling a Preset Radio Station To view your preset favourite stations, press the 'Preset' button on the unit (Ref.5) or the 'FAV' button on the remote (Rem.21) to open 'Recall from Preset' settings. Do not hold down the button as this will open preset store rather than preset

recall. Alternatively, recall preset numbers 1-99 by pressing the corresponding number on the remote (do not hold). When the 'Recall from Preset' options open, use the Vol/Enter/Stop (Ref.6) or the remote to scroll through the preset stations saved. Once the chosen station you wish to play has been found, confirm your choice by pressing down the dial or the OK button on the remote (Rem.17) and the station will begin to play.

DAB/DAB+ Radio Settings

In DAB/DAB+ mode, press the MENU button on the unit or on the remote control to open DAB/DAB+ settings. Use the Vol/Enter/Stop dial (Ref.6) or the Previous/Next buttons on the remote control (Rem.7/16) to scroll through the following options: Station List Select this option to browse through the available DAB/DAB+ stations. Scan Select this option to initiate a scan for available stations. Once scanning, the screen will show "Scanning" along with the amount of stations that have been received. Manual Tune Select this option to browse through available stations by multiplex and frequency. Once the desired multiplex and frequency has been found, select with the Vol/Enter/Stop dial or the OK button on the remote. Prune Invalid To remove stations that are listed but are unavailable, you can turn on the 'Prune' setting. Once this option is selected, the screen will show "This removes all invalid stations, continue?". To switch on Prune setting, highlight "Yes" and confirm selection with the Vol/Enter/Stop dial or the OK button on the remote.

DRC (Dynamic Range Compression) Select this option to reduce the volume of louder sounds and boost the volume of quieter sounds. Select High, Low or Off with the Vol/Enter/Stop or the OK button on the remote. Station Order Select the order that you would like the DAB/DAB+ stations to display in. Options include alphanumeric, ensemble and valid. Select your chosen option with the Vol/Enter/Stop dial or the OK button on the remote. System Settings - Select option to open system settings. Main Menu - Select to open available modes on the system. Scroll through using the Vol/Enter/Stop dial or the buttons on the remote, and select your chosen mode to play from.

DAB/DAB+ Station Information

Whilst playing a DAB/DAB+ station, the following station information can be viewed by pressing the 'Info/Menu' button repeatedly on the unit or on the remote.

Programme Information: Displays artist and song currently being played on the station.

PTY (Programme Type): Shows the type and description of the programme provided by the DAB station.

Channel and Frequency: Displays the station transmission channel number and frequency.

Signal Error/Strength: Provides details of the station signal strength. Bit Rate, Codec and Sampling Rate: The data rate which the signal is being transmitted.

Today's Date: Displays the date information provided by the broadcaster.

FM Radio

Press the 'Power/Mode' button on the unit (Ref.2) or on the remote (Rem.6) repeatedly to scroll through to FM mode. Ensure that the antenna is screwed on and connected to the DAB/ FM antenna port at the back of the system (Ref.15), and then fully extended. On first use of FM radio, the FM frequency "87.5 MHz" will display on the screen. To initiate an automatic scan up the bandwidth to the next available station, press down the Vol/Enter/Stop dial (Ref.6) or the OK button (Rem.17) on the remote control. Continue to do this to scroll through available stations. Use the Vol/Enter/Stop dial to scroll slowly through the frequencies. Scroll clockwise to manually scroll slowly up the bandwidth and scroll anti-clockwise to manually scroll slowly down the bandwidth. Alternatively, use the Previous/Next buttons on the remote (Rem.7/16) to manually scroll up and down the bandwidth slowly.

FM Preset Stations

Presetting a Radio Station When you have found your desired station, hold down the 'Preset' button on the unit (Ref.5) or the 'FAV' button on the remote (Rem.21) for 2-3 seconds to go to the 'Save to Preset' screen. Alternatively, if you want to save to preset number 1-99, press and hold the corresponding number on the remote control for 2-3 seconds. With the Vol/Enter/Stop (Ref.6) or the remote, scroll through the available preset numbers you can save the station to - ones that have not got a station saved to them will display "[Not Set]". Once the preset number has been located that you wish to save to, confirm your choice by pressing down the dial or the OK button on the remote (Rem.17). Once a station has been saved, the screen will display "Preset Stored" to show that it has been stored successfully.

Recalling a Preset Radio Station To view your preset favourite stations, press the 'Preset' button on the unit (Ref.5) or the 'FAV' button on the remote (Rem.21) to open 'Recall from Preset' settings. Do not hold down the button as this will open preset store rather than preset recall. Alternatively, recall preset numbers 1-99 by pressing the corresponding number on the remote (do not hold). When the 'Recall from Preset' options open, use the Vol/Enter/Stop dial (Ref.6) or the remote to scroll through the preset stations saved. Once the chosen station you wish to play has been found, confirm your choice by pressing down the dial or the OK button on the remote (Rem.17) and the station will begin to play.

FM Radio Settings

In FM mode, press the MENU button on the unit (Ref.3) or on the remote control (Rem.15) to open FM settings. Use the Vol/Enter/Stop dial (Ref.6) or the Previous/Next buttons on the remote control (Rem.7/16) to scroll through the following options: Scan Setting Select whether you would like to scan for all stations, or for stations only with strong signal. Once selected, the screen will display “Strong stations only?”. To scan only for stations with strong signal, select “YES” with the Vol/Enter/Stop dial or the OK button on the remote. Audio Setting All stereo stations are reproduced in stereo; for weak stations this can result in poor audio quality. The audio quality in FM mode can be improved by using mono. Select whether to listen to the audio in stereo or mono. Once selected, the screen will display “Listen in Mono only?” to listen in Mono, select “YES”. To listen in Stereo, select “NO”. System Settings - Select option to open system settings. Main Menu - Select to open available modes on the system. Scroll through using the Vol/Enter/Stop dial or the buttons on the remote, and select your chosen mode to play from.

FM Station Information

Whilst playing a FM station, the following station information can be viewed by pressing the ‘Info/Menu’ button repeatedly (Ref.3) on the unit. Programme Information: Displays artist and song currently being played on the station. PTY (Programme Type): Shows the type and description of the programme provided by the DAB station. Frequency: Displays the station transmission frequency. Today’s Date: Displays the date information provided by the broadcaster.

AUX In Mode

Press the 'Mode' button on the unit (Ref.2) or on the remote (Rem.6) repeatedly to scroll through to AUX-In playing mode. You can connect your phone or tablet with an AUX 3.5mm cable that connects to the Audio-in jack on the back of the unit (Ref.12). Insert the AUX audio cable from the back of the DAB400 into the device that you wish to play media from. Now begin playing media from your device. Ensure that the volume on the device is switched up for the best sound quality. Note: When using playback, the buttons on the remote control and on the DAB400 unit cannot be used to control media.

USB:

Plug in a USB stick (Ref.14)with files. Highlight your desired folder/song with the Vol/Enter/Stop(Ref.6)and press select to play.

Dual Alarm Setting

Setting Alarm 1/Alarm 2

To set an alarm on your radio, select the 'Alarm' button on the remote control (Rem.2) or select the 'Menu' button on the unit. Select 'Main Menu' and select 'Alarms' to open alarm settings. After selecting the alarm setting, select Alarm 1 or Alarm 2 with the Vol/Enter/Stop(Ref.6) or OK button on the remote (Rem.17) to begin setting the following alarm functions:

Enable: Select to choose the regularity of your alarm between Daily, Once, Weekends and Weekdays. If "Once" is selected, the date and time of the alarm will need to be set here. Select 'Off' to turn off the alarm.

Time: The hour digits of the alarm will now begin to flash. Change the alarm hour with the Vol/Enter/Stop or Previous/Next buttons (Rem.7/16). Once on the chosen alarm hour, press down the dial or the OK button to confirm. Follow the same process for setting the alarm minutes.

Mode: Select between the following alarm wake-up tones: Buzzer, DAB and FM.

Preset: If digital or FM radio is selected as your alarm tone, your last listened to station on this mode or one of your preset favourites can be set as your alarm tone. **Volume:** Use the Vol/Enter/Stop or Up/Down buttons on the remote to scroll to the desired alarm sounding volume. Select the volume by pressing down the dial or the OK button.

Save: Once the above features have been set for the alarm, select 'Save' with the Vol/Enter/Stop or OK button to confirm. Once set, an alarm icon will display on the standby screen.

Setting: Alarm Features

How to cancel your alarm

Cancel the alarm before it sounds by pressing the 'Alarm' button on the remote control (Rem.12) or select the 'Menu' button on the unit. Follow by selecting 'Main Menu' and select 'Alarms' to open alarm settings. Select the alarm that you would like to cancel: Alarm 1 or Alarm 2 with the Vol/Enter/Stop (Ref.3) or the OK button (Rem.18). Navigate to the "Enable" option and select "OFF". Once selected, scroll to 'Save' and confirm alarm switch off by pressing down the Vol/Enter/Stop dial or the OK button.

How to turn off your alarm when sounding

Turn off the alarm by pressing down the Power dial (Ref.13) or the Power/Standby button on the remote (Rem.1) when it is sounding. The screen will then display "Alarm Off".

Snoozing your alarm

When the alarm is sounding, snooze the alarm by pressing the Snooze/ Sleep button on the remote control (Rem.13) multiple times to scroll through 5/10/15/20 minutes snooze time. The alarm will now snooze for the selected minutes. Cancel snooze by pressing the Power dial or Power button on the remote control.

Please note: If the alarm is not stopped, the radio will automatically switch into Standby mode after an hour. If a signal is available, or no signal is received for DAB or FM radio for the alarm, the radio alarm will sound with the buzzer tone.

Sleep Timer Settings

A sleep timer can be set to switch your radio to standby after the selected period of time. Setting via the Sleep Button To set a sleep timer, select the 'Sleep' button on the remote (Rem.10) Press the Sleep button repeatedly to switch between sleep times available. There is an option between Sleep Off, 15, 30, 45 or 60 minutes. Once on the desired sleep timer length, stay on that time and the unit will automatically save the timer. Setting via the Menu Button Select the 'Menu' button on the unit (Ref.3) or on the remote (Rem.15). Follow by selecting 'Main Menu' settings and scroll to 'Sleep', but do not select 'Sleep'. Instead, press the '>' next button (Rem.16) to open sleep settings and "Sleep Off" will show. Use the Previous/Next buttons on the remote control to scroll through options, or alternatively press the 'Sleep' button repeatedly at this point, as per the above guidance. Once Set Once the sleep timer has been selected, the timer amount and a sleep image will show on the bottom left of the radio screen. To turn Sleep off, simply keep selecting the 'Sleep' button until "Sleep Timer Off" displays and select this option.

System Settings

Access system settings by pressing the MENU button on the unit (Ref.3) or on the remote control (Rem.15) Scroll to 'System Settings' and select this option. Use the Vol/Enter/Stop dial (Ref.3) or the Up/Down buttons on the remote control (Rem.7/19) to scroll through the following options:

Equaliser

Choose between a variety of equaliser settings that improve the sound quality of the audio type/genre. The Equaliser can also be accessed by pressing the 'EQ' button on the remote (Rem.3). Select "My EQ Profile Setup" to set your own equaliser. Select Bass or Treble and alter with the Up/Down buttons or the Vol/Enter/Stop. Once modified, press the 'Back' button (Ref.7) or (Rem.16) and the screen will display "Save Changes?". Select "YES" to save "My EQ" and select it as your option under Equaliser settings.

Time/Date Select to open time/date setting options. The following options will display: Set Time/Date: The day date will now begin to flash. Change the day with the Vol/Enter/Stop or Up/Down buttons on the remote. Once on the chosen digit, press down the Vol/Enter/Stop or

OK button to confirm. Follow the same process for setting the month and year. The time can now be set and the hour digits of the time will begin to flash. Change the hour with the Vol/Enter/Stop or Up/Down buttons. Once on the chosen time

Auto Update: An automatic set of the clock and date for particular modes can be selected.

Choose between: From DAB, from FM, From Network or No Update.

Set Format: Decide between a 12 and 24 hour clock display. Select option with the Vol/Enter/Stop dial or OK button on the remote.

Set Timezone: Select your timezone to set the correct time on the unit. Daylight savings: Select whether you would like daylight savings for automatic adjustment between summer time and winter time switched on or off.

Language Select your chosen default language for the radio from the list with the Vol/Enter/Stop dial or the OK button on the remote.

Factory Reset: Select this option to perform a factory reset. This would be advisable if your radio has any functionality issues. Once asked to confirm reset, select “Yes” with the Vol/Enter/Stop dial or OK button on the remote.

Software Update: Select for update settings. Once this option is selected, two options will display: Auto-check setting or Check now. If ‘Auto-check setting’ is selected, you can set the unit to periodically check for new software versions. Select “YES” to confirm this option. If ‘Check now’ is selected, you can initiate a scan on the unit for available updates.

Observation	Potential Cause/Solution
Cannot read discs	Make sure the label side of the disc is facing up. Ensure the disc is fully secured in place. Make sure the disc is not heavily scratched or damaged. Wipe the disc gently from the centre out to the edge with a clean, dry, soft cloth. Try another new disc to check if the disc is faulty. Ensure the format of the disc is CD, CDR, MP3, or HDCD.
No sound	Check volume is turned up. Check earphone jack is inserted fully into the head-phone port.
No sound on DAB/FM	Check the antenna is pull-out fully. Move to the place in strong signal.
CD does not eject	Check the CD is placed correctly.

Power Input	DC 12.0V/1.0A
Functions	USB,CD, AUX IN, DAB, FM, Bluetooth
Dimensions	21,8x22,1x13,5cm
Input	100-240V, 50-60Hz, 0.5A Max
Output	12.0V $\overline{=}$ 1.0A
Power output of earphones	3.2mw
Impedance of earphones	32ohm
Supported disc formats	CD, CDR, HDCD, MP3
Shockproof time	CD 100 seconds/MP3 180 seconds or more
Bluetooth Version	5.0
Average active efficiency	85.74%
No-load power Coconsumption	0.06W

Support

Please follow the guidance of the manual to set up your device and enjoy its fantastic features. If you require further assistance with your new device, please contact our support team on the Oakcastle website: <https://www.oakcastle.co.uk/support>

Warranty

Register your product at www.oakcastle.co.uk within 30 days of purchase to activate your extended warranty. Terms and conditions applies.

1 Read these instructions.

2. Keep these instructions. Instructions are also available for download at www.oakcastle.co.uk.
3. Heed all Warnings.
4. Follow all instructions.
5. Do not clean the apparatus near or with water.
6. Do not block any ventilation openings. Install in accordance with the manufacturer's instructions
7. Do not install near any heat sources such as radiators, heat registers, stoves, or other apparatus (including amplifiers) that produce heat.
8. Protect the power from being walked on or pinched particularly at plugs, convenience receptacles, and the point where they exit from the apparatus.
9. Only use attachments/accessories specified by the manufacturer.
10. Unplug this apparatus during light storms or when unused for long periods of time.
11. Refer all servicing to qualified service personnel. Servicing is required when the apparatus has been damaged in a way, such as power-supply cord or plug is damaged, liquid has been spilled or objects have fallen into the apparatus, the apparatus has been exposed to the rain or moisture, does not operate normally or has been dropped.
12. No naked flame sources, such as lit candles, should be placed on the apparatus.
13. Dispose of used electrical products and batteries safely according to your local authority and regulations.

ADDITIONAL WARNINGS

The apparatus shall not be exposed to dripping or splashing and no objects filled with liquid, such as vases, shall be placed on the apparatus.

Main plug is used to disconnect device and it should remain readily operable during intended use. In order to disconnect the apparatus from the main mains completely, the mains plug should be disconnected from the main socket outlet completely.

Battery shall not be exposed to excessive heat such as sunshine, fire or the like.

RECYCLING ELECTRICAL PRODUCTS

You should now recycle your waste electrical goods and in doing so help the environment.

■ This symbol means an electrical product should not be disposed of with normal household waste.

Please ensure it is taken to a suitable facility for disposal when finished with.

IMPORTANT: Please read all instructions carefully before use and keep for future reference.



Risk of electric shock.

Do not open



Read all instructions carefully before use and keep for future reference.



When servicing, use only identical replacement parts.

**CAUTION**

RISK OF ELECTRIC SHOCK
DO NOT OPEN

**ATTENTION**

RISQUE D'ELECTROCUTION
NE PAS OUVRIR



IMPORTANT: Please read all instructions carefully before use and keep for future reference

