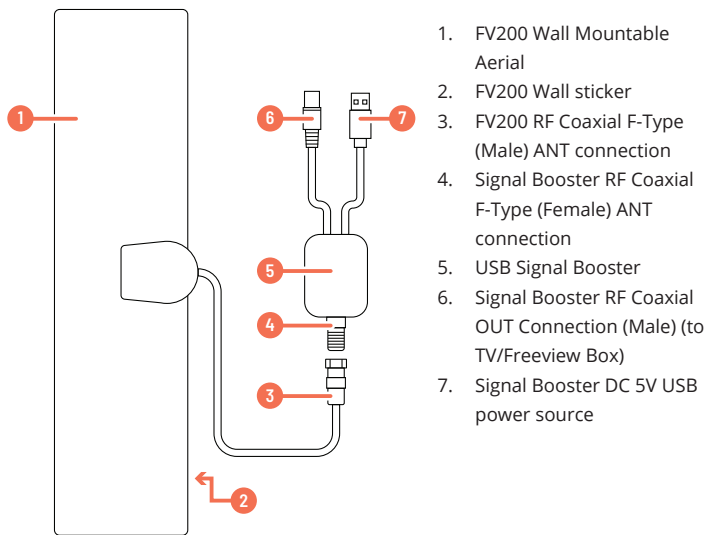




OAKCASTLE

FV·200

USER MANUAL



1. FV200 Wall Mountable Aerial
2. FV200 Wall sticker
3. FV200 RF Coaxial F-Type (Male) ANT connection
4. Signal Booster RF Coaxial F-Type (Female) ANT connection
5. USB Signal Booster
6. Signal Booster RF Coaxial OUT Connection (Male) (to TV/Freeview Box)
7. Signal Booster DC 5V USB power source


- Connect the FV200 Antenna RF Coaxial F-Type (Male) connection (**Ref.3**) to the Signal Booster Antenna RF Coaxial F-Type (Female) connection (**Ref.4**).
- Connect the Signal booster USB connection (**Ref.7**) to a USB power source.
- Connect the Signal Booster RF Coaxial Out connector (Male) (**Ref.6**) to an RF Coaxial IN Connection (Female) on your Set Top Box.
- Position the FV200 Antenna in a convenient location, ideally in a high position and near to a window within your home. If used in a secluded location within your home, the unit will not be able to pick up low strength channel signals.

1. Read these instructions.
2. Keep these instructions. Instructions are also available for download at www.oakcastle.co.uk
3. Heed all Warnings
4. Follow all instructions
5. Do not clean the apparatus near or with water
6. Do not block any ventilation openings. Install in accordance with the manufacturer's instructions
7. Do not install near any heat sources such as radiators, heat registers, stoves, or other apparatus (including amplifiers) that produce heat.
8. Protect the power from being walked on or pinched particularly at plugs, convenience receptacles, and the point where they exit from the apparatus.
9. Only use attachments/accessories specified by the manufacturer.
10. Unplug this apparatus during light storms or when unused for long periods of time.
11. Refer all servicing to qualified service personnel. Servicing is required when the apparatus has been damaged in a way, such as power-supply cord or plug is damaged, liquid has been spilled or objects have fallen into the apparatus, the apparatus has been exposed to the rain or moisture, does not operate normally or has been dropped.
12. No naked flame sources, such as lit candles, should be placed on the apparatus.
13. Dispose of used electrical products and batteries safely according to your local authority and regulations.


ADDITIONAL WARNINGS


The apparatus shall not be exposed to dripping or splashing and no objects filled with liquid, such as vases, shall be placed on the apparatus. Main plug is used to disconnect device and it should remain readily operable during intended use. In order to disconnect the apparatus from the main mains completely, the mains plug should be disconnected from the main socket outlet completely. Battery shall not be exposed to excessive heat such as sunshine, fire or the like.


RECYCLING ELECTRICAL PRODUCTS

 You should now recycle your waste electrical goods and in doing so help the environment. This symbol means an electrical product should not be disposed of with normal household waste. Please ensure it is taken to a suitable facility for disposal when finished with.

IMPORTANT: Please read all instructions carefully before use and keep for future reference.

 Risk of electric shock.
Do not open

 Read all instructions carefully before use and keep for future reference

 When servicing, use only identical replacement parts



CAUTION

RISK OF ELECTRIC SHOCK
DO NOT OPEN



ATTENTION

RISQUE D'ELECTROCUTION
NE PAS OUVRIR



IMPORTANT: Please read all instructions carefully before use and keep for future reference



WWW.OAKCASTLE.CO.UK